

MPAPOWER[®] 超高压手动针阀

Ultra high pressure needle Valves

材质为316L不锈钢

金属硬密封,非旋转阀芯,工作寿命长

在高压连接处有安全泄压孔

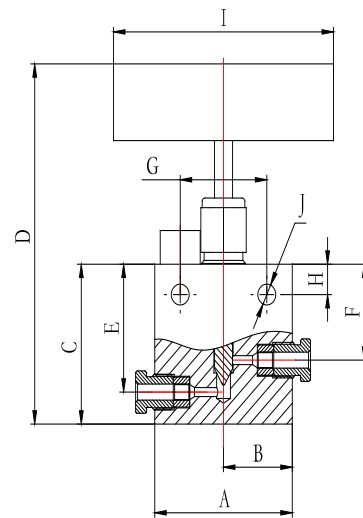
多种压力等级可选:

10000, 20000, 30000, 60000psi,

700, 1000, 1500, 2000, 4000bar

高可靠性,高安全性

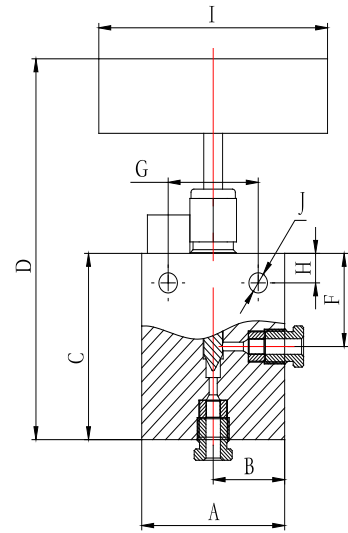
简单易用,100% 出厂检验



Type 1: 直通型

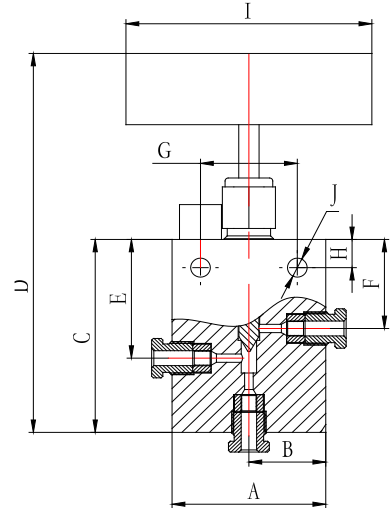
额定工作压力 psi (bar)	阀针类型	连接方式		通径	直通		尺寸									
		inch	mm		mm	型号	A mm	B mm	C mm	D mm	E mm	F mm	G mm	H mm	I mm	J mm
10000 (689)	V	FNPT1/4"	-	4	10MV41V	50X20	25	50	115.5	40	30	31.5	9.5	80	6.5	
	R		-	4	10MV41R	50X20	25	50	115.5	40	30	31.5	9.5	80	6.5	
	V	FNPT3/8"	-	7	10MV61V	63.5X28.5	31.8	74	156.7	60.5	44.5	35	12	80	8.5	
	R		-	7	10MV61R	63.5X28.5	31.8	74	156.7	60.5	44.5	35	12	80	8.5	
	V	FNPT1/2"	-	7	10MV81V	67X38	33.5	76	158.7	60.5	44.5	35	12	80	8.5	
	R		-	7	10MV81R	67X38	33.5	76	158.7	60.5	44.5	35	12	80	8.5	
20000 (1380)	V	1/4"MP	6.35	4.5	20MV41V	50X20	25	50	115	40	30	31.5	9.5	80	6.5	
	R		6.35	4.5	20MV41R	50X20	25	50	115	40	30	31.5	9.5	80	6.5	
	V	3/8"MP	9.52	4.5	20MV61V	50X20	25	50	115	40	30	31.5	9.5	80	6.5	
	R		9.52	4.5	20MV61R	50X20	25	50	115	40	30	31.5	9.5	80	6.5	
	V	9/16"MP	14.3	7	20MV91V	63.5X28.5	31.8	74	156.7	60.5	44.5	35	12	80	8.5	
	R		14.3	7	20MV91R	63.5X28.5	31.8	74	156.7	60.5	44.5	35	12	80	8.5	
30000 (2070)	V	1/4"HP	6.35	3	30MV41V	50X25	25	50	117.4	38	28.5	35	9.5	80	7	
	R		6.35	3	30MV41R	50X25	25	50	117.4	38	28.5	35	9.5	80	7	
	V	3/8"HP	9.52	3	30MV61V	50X25	25	50	117.4	38	28.5	35	9.5	80	7	
	R		9.52	3	30MV61R	50X25	25	50	117.4	38	28.5	35	9.5	80	7	
	V	9/16"HP	14.3	3	30MV91V	67X38	33.5	62	129.4	38	28.5	35	9.5	80	7	
	R		14.3	3	30MV91R	67X38	33.5	62	129.4	38	28.5	35	9.5	80	7	
60000 (4140)	V	1/4"HP	6.35	2.5	60MV41V	50X25	25	54	120.8	43	33.5	35	9.5	80	7	
	R		6.35	2.5	60MV41R	50X25	25	54	120.8	43	33.5	35	9.5	80	7	
	V	3/8"HP	9.52	2.5	60MV61V	50X25	25	57	123.8	43	33.5	35	9.5	80	7	
	R		9.52	2.5	60MV61R	50X25	25	57	123.8	43	33.5	35	9.5	80	7	
	V	9/16"HP	14.3	2.5	60MV91V	67X38	33.5	64	130.8	43	33.5	35	9.5	80	7	
	R		14.3	2.5	60MV91R	67X38	33.5	64	130.8	43	33.5	35	9.5	80	7	

Type 2: 直角型



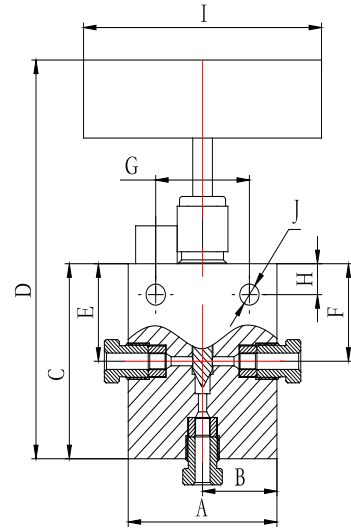
额定工作压力 psi (bar)	阀针类型	连接方式		通径 mm	直角		尺寸								
		inch	mm		型号	A mm	B mm	C mm	D mm	E mm	F mm	G mm	H mm	I mm	J mm
10000 (689)	V	FNPT1/4"	-	4	10MV42V	50X20	25	60	125.5	-	30	31.5	9.5	80	6.5
	R		-	4	10MV42R	50X21	25	60	125.5	-	30	31.5	9.5	80	6.5
	V	FNPT3/8"	-	7	10MV62V	63.5X28.5	31.8	86	168.7	-	44.5	35	12	80	8.5
	R		-	7	SPFV62R	63.5X28.5	31.8	86	168.7	-	44.5	35	12	80	8.5
	V	FNPT1/2"	-	7	10MV82V	67X38	33.5	86	168.7	-	44.5	35	12	80	8.5
	R		-	7	10MV82R	67X38	33.5	86	168.7	-	44.5	35	12	80	8.5
20000 (1380)	V	1/4"MP	6.35	4.5	20MV42V	50X20	25	55	120	-	30	31.5	9.5	80	6.5
	R		6.35	4.5	20MV42R	50X20	25	55	120	-	30	31.5	9.5	80	6.5
	V	3/8"MP	9.52	4.5	20MV62V	50X20	25	60	125	-	30	31.5	9.5	80	6.5
	R		9.52	4.5	20MV62R	50X20	25	60	125	-	30	31.5	9.5	80	6.5
	V	9/16"MP	14.3	7	20MV92V	63.5X28.5	31.8	86	168.7	-	44.5	35	12	80	8.5
	R		14.3	7	20MV92R	63.5X28.5	31.8	86	168.7	-	44.5	35	12	80	8.5
30000 (2070)	V	1/4"HP	6.35	3	30MV42V	50X25	25	50	117.4	-	28.5	35	9.5	80	7
	R		6.35	3	30MV42R	50X25	25	50	117.4	-	28.5	35	9.5	80	7
	V	3/8"HP	9.52	3	30MV62V	50X25	25	54	121.4	-	28.5	35	9.5	80	7
	R		9.52	3	30MV62R	50X25	25	54	121.4	-	28.5	35	9.5	80	7
	V	9/16"HP	14.3	3	30MV92V	67X38	33.5	62	129.4	-	28.5	35	9.5	80	7
	R		14.3	3	30MV92R	67X38	33.5	62	129.4	-	28.5	35	9.5	80	7
60000 (4140)	V	1/4"HP	6.35	2.5	60MV42V	50X25	25	54	120.8	-	33.5	35	9.5	80	7
	R		6.35	2.5	60MV42R	50X25	25	54	120.8	-	33.5	35	9.5	80	7
	V	3/8"HP	9.52	2.5	60MV62V	50X25	25	65	131.8	-	33.5	35	9.5	80	7
	R		9.52	2.5	60MV62R	50X25	25	65	131.8	-	33.5	35	9.5	80	7
	V	9/16"HP	14.3	2.5	60MV92V	67X38	33.5	72	138.8	-	33.5	35	9.5	80	7
	R		14.3	2.5	60MV92R	67X38	33.5	72	138.8	-	33.5	35	9.5	80	7

Type 3: 3路/2路承压



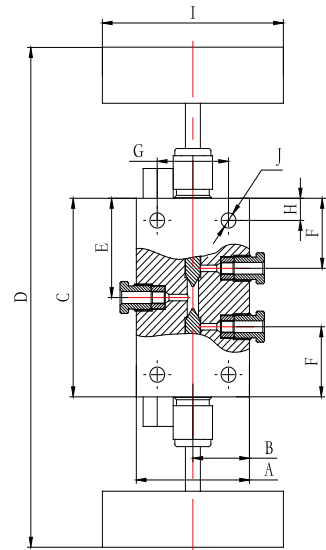
额定工作压力 psi (bar)	阀针类型	连接方式		通径	3路/2路承压		尺寸								
					型号	A	B	C	D	E	F	G	H	I	J
		inch	mm	mm	mm	mm	mm	mm	mm	mm	mm	mm	mm	mm	mm
10000 (689)	V	FNPT1/4"	-	4	10MV43V	50X20	25	65	130.5	40	30	31.5	9.5	80	6.5
	R		-	4	10MV43R	50X20	25	65	130.5	40	30	31.5	9.5	80	6.5
	V	FNPT3/8"	-	7	10MV63V	63.5X28.5	31.8	92	174.7	60.5	44.5	35	12	80	8.5
	R		-	7	10MV63R	63.5X28.5	31.8	92	174.7	60.5	44.5	35	12	80	8.5
	V	FNPT1/2"	-	7	10MV83V	67X38	33.5	92	174.7	60.5	44.5	35	12	80	8.5
	R		-	7	10MV83R	67X38	33.5	92	174.7	60.5	44.5	35	12	80	8.5
20000 (1380)	V	1/4"MP	6.35	4.5	20MV43V	50X20	25	65	130	40	30	31.5	9.5	80	6.5
	R		6.35	4.5	20MV43R	50X20	25	65	130	40	30	31.5	9.5	80	6.5
	V	3/8"MP	9.52	4.5	20MV63V	50X20	25	65	130	40	30	31.5	9.5	80	6.5
	R		9.52	4.5	20MV63R	50X20	25	65	130	40	30	31.5	9.5	80	6.5
	V	9/16"MP	14.3	7	20MV93V	63.5X28.5	31.8	92	174.7	60.5	44.5	35	12	80	8.5
	R		14.3	7	20MV93R	63.5X28.5	31.8	92	174.7	60.5	44.5	35	12	80	8.5
30000 (2070)	V	1/4"HP	6.35	3	30MV43V	50X25	25	54	121.4	38	28.5	35	9.5	80	7
	R		6.35	3	30MV43R	50X25	25	54	121.4	38	28.5	35	9.5	80	7
	V	3/8"HP	9.52	3	30MV63V	50X25	25	64	131.4	38	28.5	35	9.5	80	7
	R		9.52	3	30MV63R	50X25	25	64	131.4	38	28.5	35	9.5	80	7
	V	9/16"HP	14.3	3	30MV93V	67X38	33.5	74	141.4	38	28.5	35	9.5	80	7
	R		14.3	3	30MV93R	67X38	33.5	74	141.4	38	28.5	35	9.5	80	7
60000 (4140)	V	1/4"HP	6.35	2.5	60MV43V	50X25	25	60	126.8	43	33.5	35	9.5	80	7
	R		6.35	2.5	60MV43R	50X25	25	60	126.8	43	33.5	35	9.5	80	7
	V	3/8"HP	9.52	2.5	60MV63V	50X25	25	70	136.8	43	33.5	35	9.5	80	7
	R		9.52	2.5	60MV63R	50X25	25	70	136.8	43	33.5	35	9.5	80	7
	V	9/16"HP	14.3	2.5	60MV93V	67X38	33.5	77	143.8	43	33.5	35	9.5	80	7
	R		14.3	2.5	60MV93R	67X38	33.5	77	143.8	43	33.5	35	9.5	80	7

Type 4: 3路/1路承压



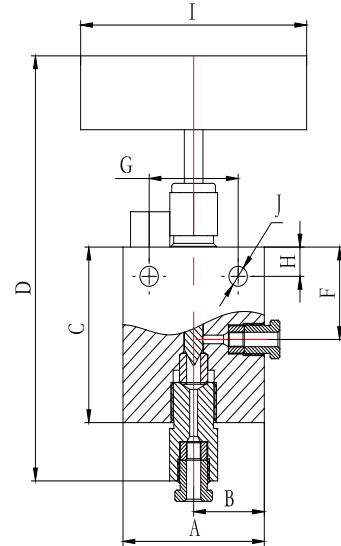
额定工作压力 psi(bar)	阀针类型	连接方式		通径 mm	3路/1路承压		尺寸								
		inch	mm		型号	A mm	B mm	C mm	D mm	E mm	F mm	G mm	H mm	I mm	K mm
10000 (689)	V	FNPT1/4"	-	4	10MV44V	50X20	25	60	125.5	30	30	31.5	9.5	80	6.5
	R		-	4	10MV44R	50X20	25	60	125.5	30	30	31.5	9.5	80	6.5
	V	FNPT3/8"	-	7	10MV64V	63.5X28.5	31.8	86	168.7	44.5	44.5	35	12	80	8.5
	R		-	7	10MV64R	63.5X28.5	31.8	86	168.7	44.5	44.5	35	12	80	8.5
	V	FNPT1/2"	-	7	10MV84V	67X38	33.5	86	168.7	44.5	44.5	35	12	80	8.5
	R		-	7	10MV84R	67X38	33.5	86	168.7	44.5	44.5	35	12	80	8.5
20000 (1380)	V	1/4"MP	6.35	4.5	20MV44V	50X20	25	60	125	30	30	31.5	9.5	80	6.5
	R		6.35	4.5	20MV44R	50X20	25	60	125	30	30	31.5	9.5	80	6.5
	V	3/8"MP	9.52	4.5	20MV64R	50X20	25	60	125	30	30	31.5	9.5	80	6.5
	R		9.52	4.5	20MV64V	50X20	25	60	125	30	30	31.5	9.5	80	6.5
	V	9/16"MP	14.3	7	20MV94V	63.5X28.5	31.8	86	168.7	44.5	44.5	35	12	80	8.5
	R		14.3	7	20MV94R	63.5X28.5	31.8	86	168.7	44.5	44.5	35	12	80	8.5
30000 (2070)	V	1/4"HP	6.35	3	30MV44V	50X25	25	50	117.4	28.5	28.5	35	9.5	80	7
	R		6.35	3	30MV44R	50X25	25	50	117.4	28.5	28.5	35	9.5	80	7
	V	3/8"HP	9.52	3	30MV64V	50X25	25	54	121.4	28.5	28.5	35	9.5	80	7
	R		9.52	3	30MV64R	50X25	25	54	121.4	28.5	28.5	35	9.5	80	7
	V	9/16"HP	14.3	3	30MV94V	67X38	33.5	62	129.4	28.5	28.5	35	9.5	80	7
	R		14.3	3	30MV94R	67X38	33.5	62	129.4	28.5	28.5	35	9.5	80	7
60000 (4140)	V	1/4"HP	6.35	2.5	60MV44V	50X25	25	54	120.8	33.5	33.5	35	9.5	80	7
	R		6.35	2.5	60MV44R	50X25	25	54	120.8	33.5	33.5	35	9.5	80	7
	V	3/8"HP	9.52	2.5	60MV64V	50X25	25	65	131.8	33.5	33.5	35	9.5	80	7
	R		9.52	2.5	60MV64R	50X25	25	65	131.8	33.5	33.5	35	9.5	80	7
	V	9/16"HP	14.3	2.5	60MV94V	67X38	33.5	72	138.8	33.5	33.5	35	9.5	80	7
	R		14.3	2.5	60MV94R	67X38	33.5	72	138.8	33.5	33.5	35	9.5	80	7

Type 5: 3路/2路接头



额定工作压力 psi (bar)	阀针类型	连接方式		通径	3路/2路接头		尺寸								
					型号	A	B	C	D	E	F	G	H	I	K
		inch	mm	mm	mm	mm	mm	mm	mm	mm	mm	mm	mm	mm	mm
10000 (689)	V	FNPT1/4"	-	4	10MV45V	50X20	25	85	215.8	42.5	30	31.5	9.5	80	6.5
	R		-	4	10MV45R	50X20	25	85	215.8	42.5	30	31.5	9.5	80	6.5
	V	FNPT3/8"	-	7	10MV65V	63.5X28.5	31.8	130	295.5	65	44.5	35	12	80	8.5
	R		-	7	10MV65R	63.5X28.5	31.8	130	295.5	65	44.5	35	12	80	8.5
	V	FNPT1/2"	-	7	10MV85V	67X38	33.5	130	295.5	65	44.5	35	12	80	8.5
	R		-	7	10MV85R	67X38	33.5	130	295.5	65	44.5	35	12	80	8.5
20000 (1380)	V	1/4"MP	6.35	4.5	20MV45V	50X20	25	85	215	42.5	30	31.5	9.5	80	6.5
	R		6.35	4.5	20MV45R	50X20	25	85	215	42.5	30	31.5	9.5	80	6.5
	V	3/8"MP	9.52	4.5	20MV65V	50X20	25	85	215	42.5	30	31.5	9.5	80	6.5
	R		9.52	4.5	20MV65R	50X20	25	85	215	42.5	30	31.5	9.5	80	6.5
	V	9/16"MP	14.3	7	20MV95V	63.5X28.5	31.8	130	295.5	65	44.5	35	12	80	8.5
	R		14.3	7	20MV95R	63.5X28.5	31.8	130	295.5	65	44.5	35	12	80	8.5
30000 (2070)	V	1/4"HP	6.35	3	30MV45V	50X25	25	78	212.5	39	28.5	35	9.5	80	7
	R		6.35	3	30MV45R	50X25	25	78	212.5	39	28.5	35	9.5	80	7
	V	3/8"HP	9.52	3	30MV65V	50X25	25	84	218.5	42	28.5	35	9.5	80	7
	R		9.52	3	30MV65R	50X25	25	84	218.5	42	28.5	35	9.5	80	7
	V	9/16"HP	14.3	3	30MV95V	67X38	33.5	100	234.5	50	28.5	35	9.5	80	7
	R		14.3	3	30MV95R	67X38	33.5	100	234.5	50	28.5	35	9.5	80	7
60000 (4140)	V	1/4"HP	6.35	2.5	60MV45V	50X25	25	88	221.7	44	33.5	35	9.5	80	7
	R		6.35	2.5	60MV45R	50X25	25	88	221.7	44	33.5	35	9.5	80	7
	V	3/8"HP	9.52	2.5	60MV65V	50X25	25	96	229.7	48	33.5	35	9.5	80	7
	R		9.52	2.5	60MV65R	50X25	25	96	229.7	48	33.5	35	9.5	80	7
	V	9/16"HP	14.3	2.5	60MV95V	67X38	33.5	105	171.8	52.5	33.5	35	9.5	80	7
	R		14.3	2.5	60MV95R	67X38	33.5	105	171.8	52.5	33.5	35	9.5	80	7

Type 6: 2路直角/可更换阀座



额定工作压力 psi (bar)	阀针类型	连接方式			2路直角/可更换阀座		尺寸								
		inch	mm	mm			型号	A mm	B mm	C mm	D mm	E mm	F mm	G mm	H mm
10000 (689)	V	FNPT1/4"	-	4	10MV46V	50X20	25	57	141	-	30	31.5	9.5	80	6.5
	R		-	4	10MV46R	50X20	25	57	141	-	30	31.5	9.5	80	6.5
	V	FNPT3/8"	-	7	10MV66V	63.5X28.5	31.8	83	192	-	44.5	35	12	80	8.5
	R		-	7	10MV66R	63.5X28.5	31.8	83	192	-	44.5	35	12	80	8.5
	V	FNPT1/2"	-	7	10MV86V	67X38	33.5	83	192	-	44.5	35	12	80	8.5
	R		-	7	10MV86R	67X38	33.5	83	192	-	44.5	35	12	80	8.5
20000 (1380)	V	1/4"MP	6.35	4.5	20MV46V	50X20	25	57	140.5	-	30	31.5	9.5	80	6.5
	R		6.35	4.5	20MV46R	50X20	25	57	140.5	-	30	31.5	9.5	80	6.5
	V	3/8"MP	9.53	4.5	20MV66V	50X20	25	57	140.5	-	30	31.5	9.5	80	6.5
	R		9.35	4.5	20MV66R	50X20	25	57	140.5	-	30	31.5	9.5	80	6.5
	V	9/16"MP	14.3	7	20MV96V	63.5X28.5	31.8	83	192	-	44.5	35	12	80	8.5
	R		1.43	7	20MV96R	63.5X28.5	31.8	83	192	-	44.5	35	12	80	8.5
30000 (2070)	V	1/4"HP	6.35	3	30MV46V	50X25	25	60	145.6	-	28.5	35	9.5	80	7
	R		6.35	3	30MV46R	50X25	25	60	145.6	-	28.5	35	9.5	80	7
	V	3/8"HP	9.52	3	30MV66V	50X25	25	60	153	-	28.5	35	9.5	80	7
	R		9.52	3	30MV66R	50X25	25	60	153	-	28.5	35	9.5	80	7
	V	9/16"HP	14.3	3	30MV96V	67X38	33.5	62	161	-	28.5	35	9.5	80	7
	R		14.3	3	30MV96R	67X38	33.5	62	161	-	28.5	35	9.5	80	7
60000 (4140)	V	1/4"HP	6.35	2.5	60MV46V	50X25	25	65	151	-	33.5	35	9.5	80	7
	R		6.35	2.5	60MV46R	50X25	25	65	151	-	33.5	35	9.5	80	7
	V	3/8"HP	9.52	2.5	60MV66V	50X25	25	65	151	-	33.5	35	9.5	80	7
	R		9.52	2.5	60MV66R	50X25	25	65	151	-	33.5	35	9.5	80	7
	V	9/16"HP	14.3	2.5	60MV96V	67X38	33.5	66	163.5	-	33.5	35	9.5	80	7
	R		14.3	2.5	60MV96R	67X38	33.5	66	163.5	-	33.5	35	9.5	80	7